

Optical measurement

SYLVAC-SCAN

DESCRIPTION

S145

- New high-capacity optical measuring machines for static and dynamic measurement of various elements on cylindrical parts.
- The parts can be mounted in between centres or held in place with various accessories.
- Attractive design and sturdy construction with many new features: bi-telecentric optical system, high resolution camera, precision rotary headstock with integrated and protected daily calibration standard, motorised tailstock, quick and easy accessory changing system, integrated temperature sensors, LED indicator of the overall status of the measured part (GO/NG), light barrier automatically stops the machine in case of intrusion, removable roof for easy loading of heavy workpieces up to 100 kg and exceptional precision and repeatability
- Delivered complete with a PC and the Reflex SCAN+ software, which allows a multitude of elements to be measured easily and intuitively.
- Machine delivered fully equipped «Automation Ready» as standard



LED status light indicator

One click measurement

Software Reflex SCAN +



SCAN S145 with double table

Table with drawer



J

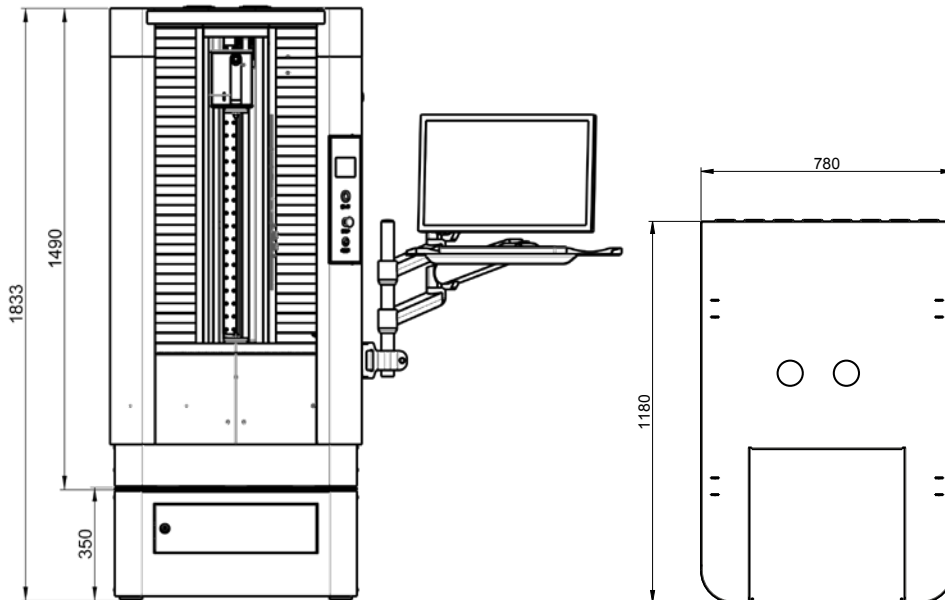


Optical measurement

SYLVAC-SCAN

DIMENSIONAL DRAWINGS

S145



TECHNICAL SPECIFICATIONS

		902-4145	
		Sylvac SCAN S145	
		Diameter	Length
Measuring range	mm	145	615
Resolution up to	mm	0.0001	0.0001
Max. error	µm	$1.5 + (D[\text{mm}]/100) \mu\text{m}^{1)}$	$4 + (L[\text{mm}]/200) \mu\text{m}^{1)}$
Repeatability 2σ	µm	0.5	1.0
Holding capacity diameter	mm	254	615
Axial positioning speed	mm/s	Up to 160	
Headstock		Rotary headstock for static and dynamic measurements	
Max. weight of part	kg	100	
Machine's weight	kg	530	

¹⁾ 20° C ± 1° C

STANDARD DELIVERY

- Instrument according to technical specifications
- Adapter for Morse 2 (902-6260)
- Computer with screen, keyboard and mouse
- Table 350mm (700mm optional, 902-6611)
- Windows multilingual operating system
- Sylvac Reflex SCAN Software +
- Manual
- Accessories 902-6210, 902-6380 & Machine stand, with screen & keyboard holder

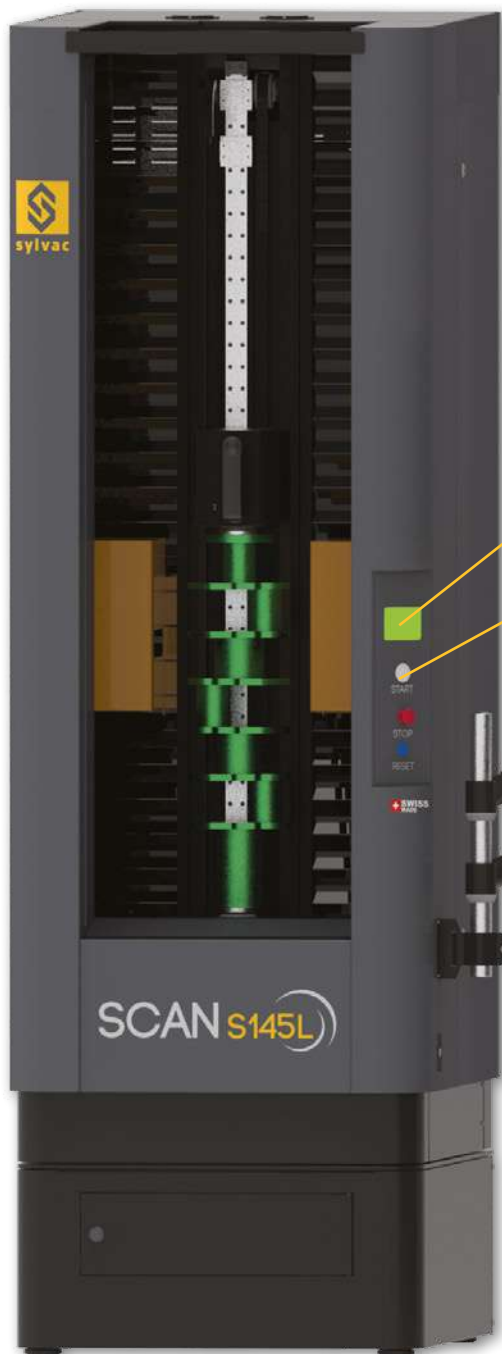
Optical measurement

SYLVAC-SCAN

DESCRIPTION

S145L

- Optical machine similar to the S145, but in a long version, allowing measurements up to 1'280mm long and 254mm in diameter.
- Machine delivered fully equipped «Automation Ready» as standard



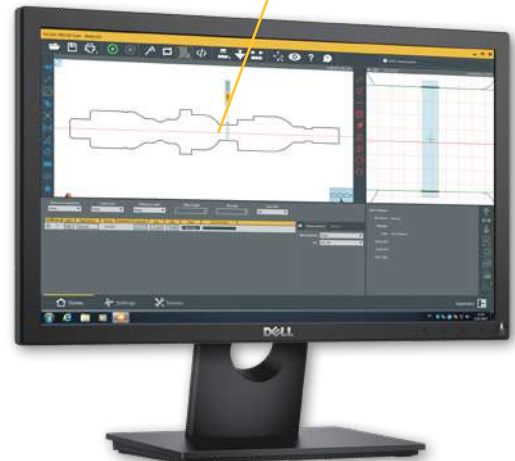
Version L !

LED status light indicator

One click measurement



Software Reflex SCAN +



J

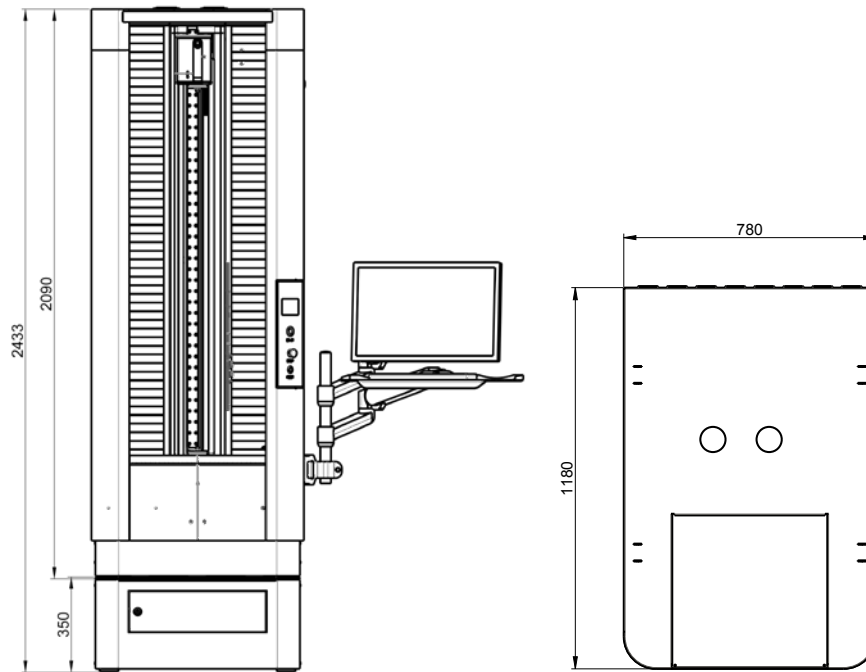


Optical measurement

SYLVAC-SCAN

DIMENSIONAL DRAWINGS

S145L



TECHNICAL SPECIFICATIONS

		902-4147	
		Sylvac SCAN S145	
		Diameter	Length
Measuring range	mm	145	1280
Resolution up to	mm	0.0001	0.0001
Max. error	µm	$1.5 + (D[\text{mm}]/100) \mu\text{m}^{1)}$	$4 + (L[\text{mm}]/200) \mu\text{m}^{1)}$
Repeatability 2σ	µm	0.5	1.0
Holding capacity diameter	mm	254	1280
Axial positioning speed	mm/s	Up to 160	
Headstock		Rotary headstock for static and dynamic measurements	
Max. weight of part	kg	100	
Machine's weight	kg	650	

¹⁾ 20° C ± 1° C

STANDARD DELIVERY

- Instrument according to technical specifications
- Adapter for Morse 2 (902-6260)
- Computer with screen, keyboard and mouse
- Machine stand, with screen & keyboard holder
- Windows multilingual operating system
- Sylvac Reflex SCAN Software +
- Manual