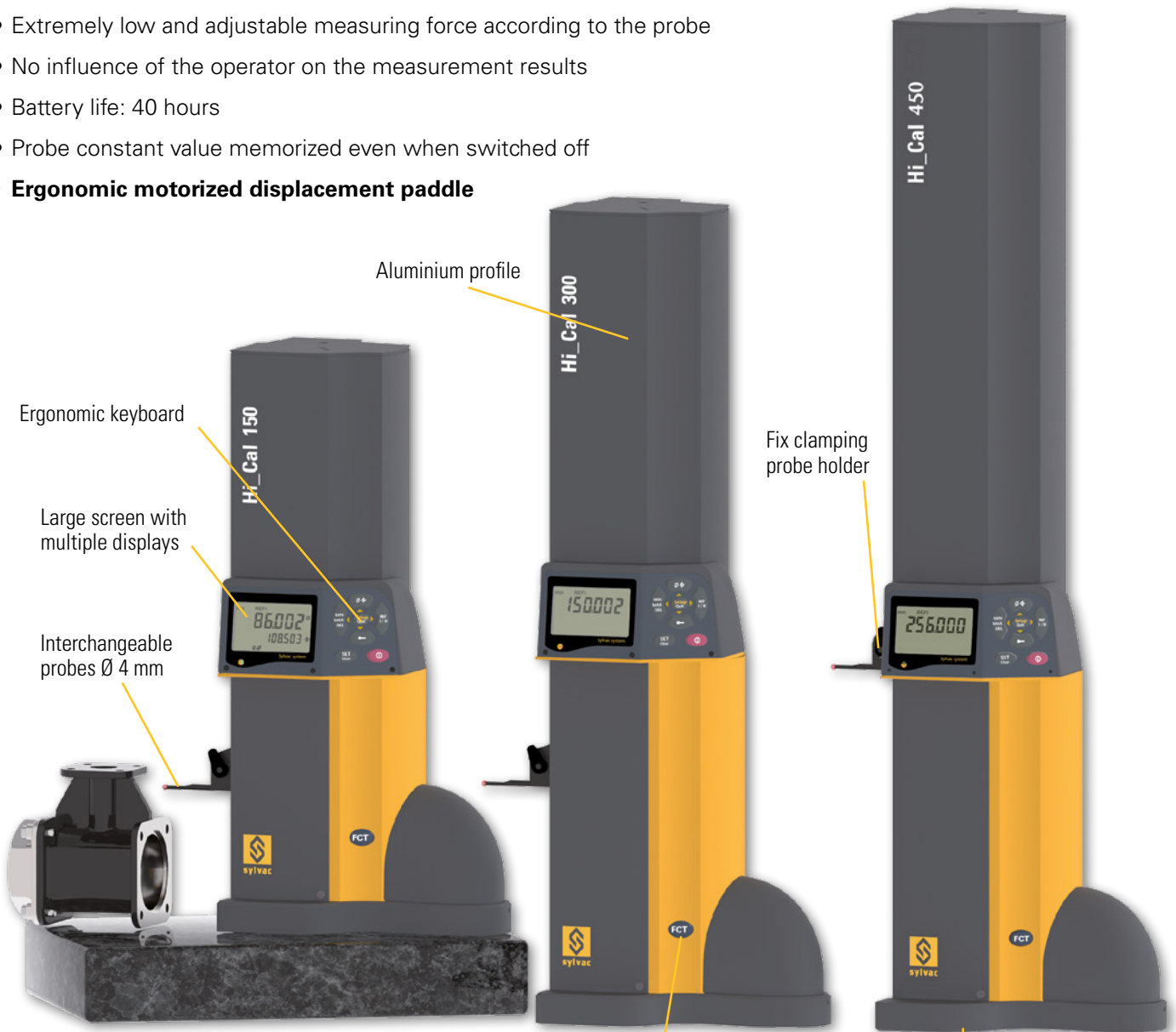


Height gauge

Hi_Cal

DESCRIPTION

- Intuitive functions
- Great mobility
- Measurement of internal and external diameters, centerlines, heights, thicknesses, depths, surfaces
- 150, 300 and 450 mm range
- Data output USB and RS232
- Extremely low and adjustable measuring force according to the probe
- No influence of the operator on the measurement results
- Battery life: 40 hours
- Probe constant value memorized even when switched off
- **Ergonomic motorized displacement paddle**



G

mini-USB

RS232

SWISS MADE



Output cable RS232 to USB (925.1142) or RS232 (925.5609) or output cable mini-USB to USB (926.6001)

Programmable multi-functional key

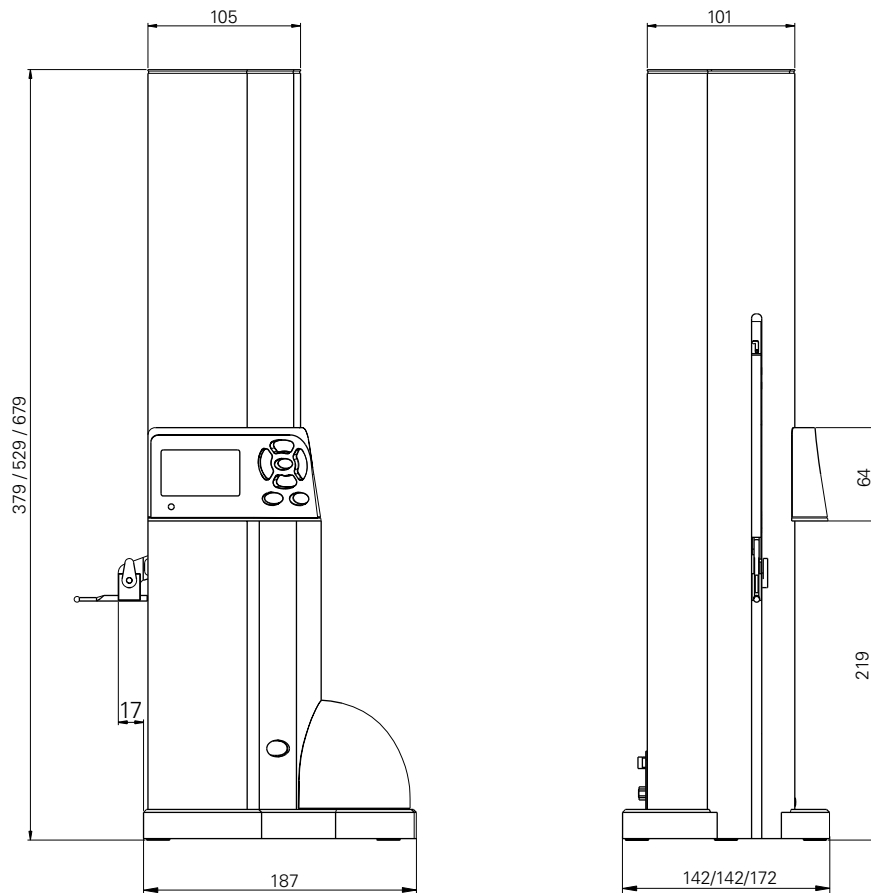
Reduced base area for effective use close to the machine

Switch on and measure!

Height gauge

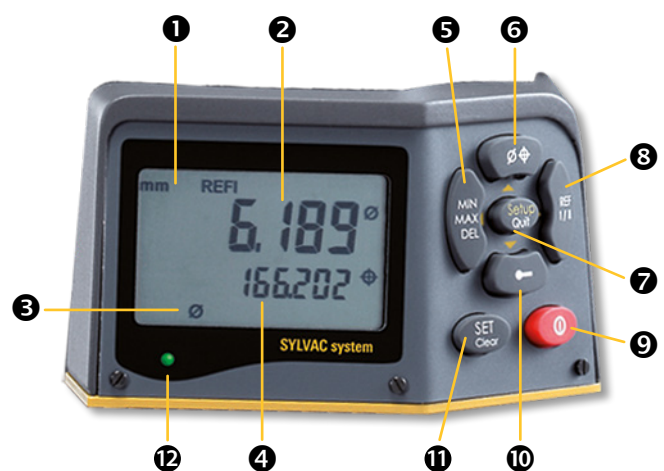
Hi_Cal

DIMENSIONAL DRAWINGS



DISPLAYS

- ❶ Measuring unit and actives reference
- ❷ Display of measuring value
- ❸ Active measuring mode
- ❹ Centerline display
- ❺ Dynamic measuring mode
- ❻ Diameter / height measurement
- ❼ Access to setting menu
- ❽ Selection of reference Ref I / Ref II
- ❾ ON / OFF Switch
- ❿ Ball probe constant
- ⓫ Validation / Initialization of min, max mode
- ⓬ Luminous indication of valide measurement



TECHNICAL SPECIFICATIONS

		830.0150	830.0300	830.0450
Measuring range	mm	150	300	450
Application range	mm	0 - 155	0 - 320	0 - 470
Max. Error	µm	2.5 + L / 175 ¹⁾		
Repeatability	µm	2		
Resolution	mm	0.01 / 0.001		
Velocity	mm/s	50 / 100		
Measuring force	N	0.2 - 0.3		
Self-contained use	h	>40		
Height	mm	379	529	679
Weight	kg	3.9	4.6	6.8
Weight of the standard probe		7.5g, possibility of using 0-15g or 10-25g ²⁾ probes		
Output data		USB / RS232 ³⁾		
Programmable by PC		●		
Zero setting		●		
Min / max / delta		●		
PRESET function		●		
2 references		●		
Height measurement, Ø and centerlines		●		
2 types of progressive speed		●		

¹⁾ With standard probe, in laboratory conditions

²⁾ With adjustment of the measuring force

³⁾ See cables chapter

BASIC INSTRUMENT

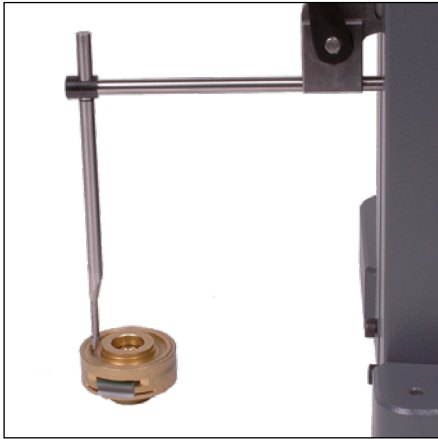
- Loose cover Hi_Cal 150 (930.6001)
- Loose cover Hi_Cal 300 (930.6002)
- Loose cover Hi_Cal 450 (930.6005)
- Charging set (904.4200¹⁾/01/03/04/05)
- Ruby ball probe Ø 3 mm
- Setting gauge
- Calibration certificate
- Instruction manual

¹⁾ according to country

Height gauge

Hi_Cal

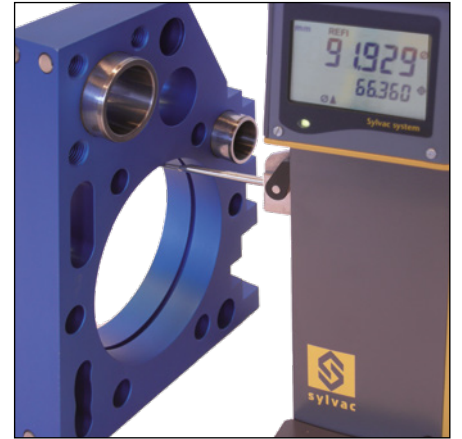
APPLICATIONS



Depth measurement with accessories 930.2108 and 930.2105



Depth measurement with accessories 930.2108 and 905.2204



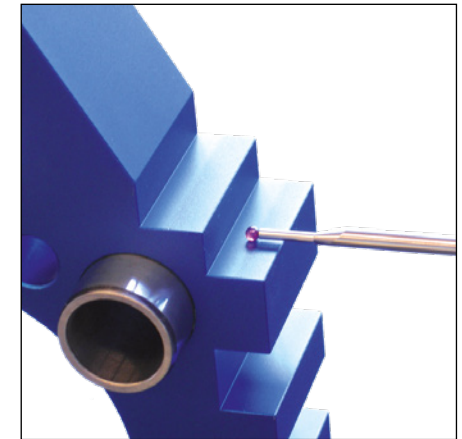
Internal measurement with ruby ball probe Ø 3 mm, 930.2101 (standard)



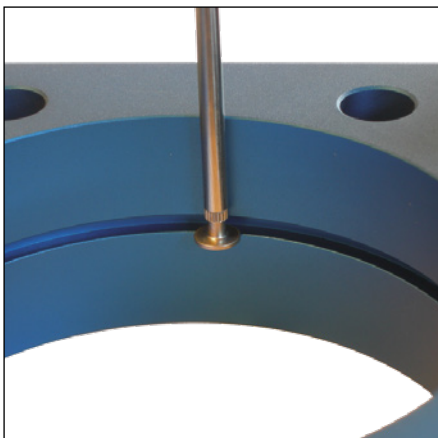
Internal groove measurement with accessories 930.2108, 930.2110 and 905.2207



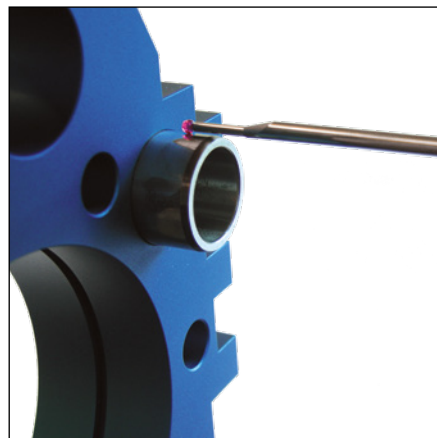
Taking the probe constant value with the setting bloc 930.2002 (standard)



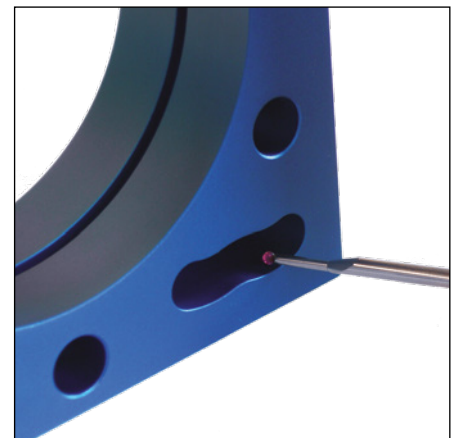
Heights and thicknesses measurements with the standard probe 930.2101



Internal groove measurement with accessories 930.2108, 930.2110 and 905.2205



External diameter measurement with the standard probe 930.2101



Min/Max/Delta measurements