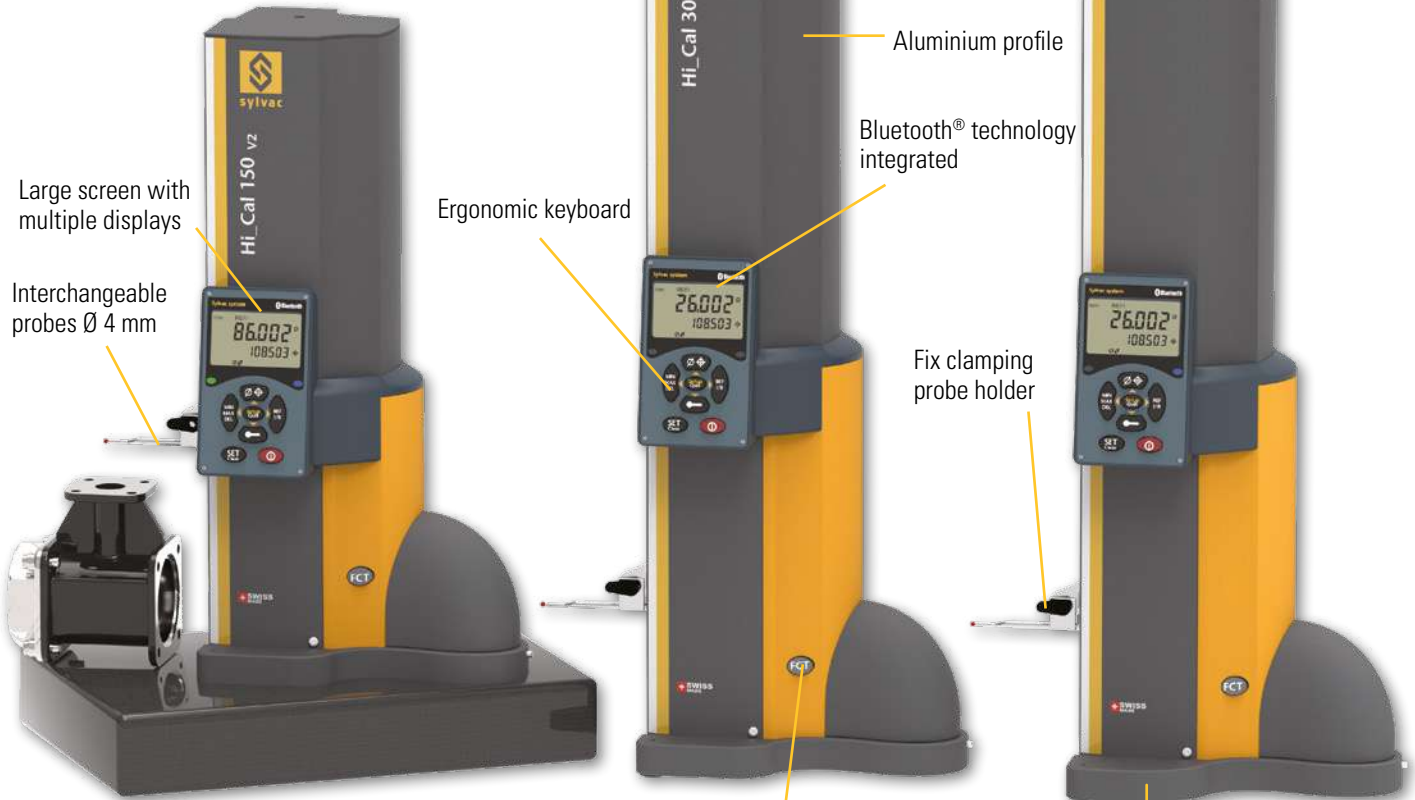


Height gauge

Hi_Cal V2 Smart

DESCRIPTION

- 1D workshop measuring columns with integrated Bluetooth® system and battery
- Perfectly suited for the rapid measurement of heights, depths, thicknesses, internal and external diameters, centre-to-centre distances, etc.
- Value of the key constant stored in memory even after the instrument is switched off.
- Compact and lightweight columns are easy to handle and do not require an air cushion.
- New construction with simplified guidance systems to ensure reliability
- Motorised measuring button movement with encoder integrated in the system eliminating operator influence
- Variable and progressive displacement speed according to the pressure exerted on the paddle
- Automatic pre-positioning of the key by the Sylcom software, allowing a reliable and fast measuring sequence
- Fixed key holder system with interchangeable Ø 3 mm ruby ball button
- Display resolution 0.01 / 0.001 / 0.0005mm
- Very small cast iron base equipped with 3 ground hard metal runners, requiring only a small working space
- Lower button with selectable favourite function
- Wide range of functions, including MIN/MAX/DELTA
- Light and sound indication to validate the probing process



Built-in Bluetooth

mini-USB

RS232

SWISS MADE



Output cable RS232 to USB (925-1142) or RS232 (925-5609) or output cable mini-USB to USB (926-6001)

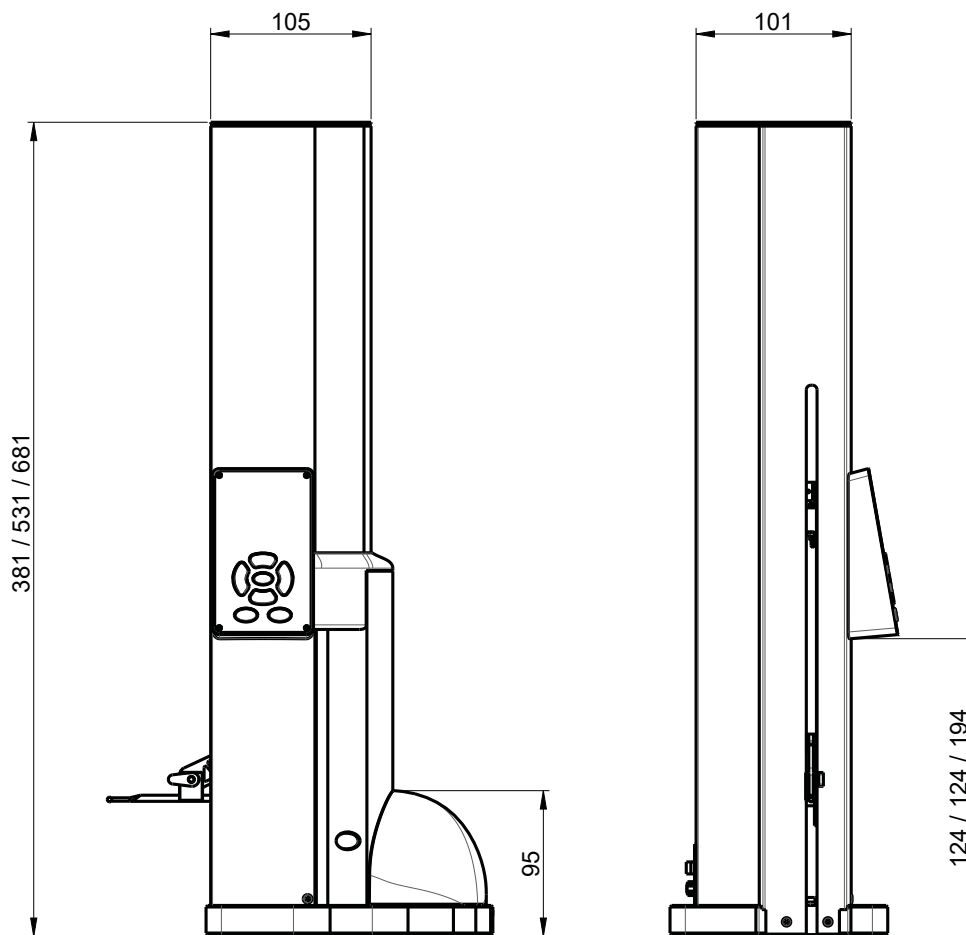
Switch on and measure!



Height gauge

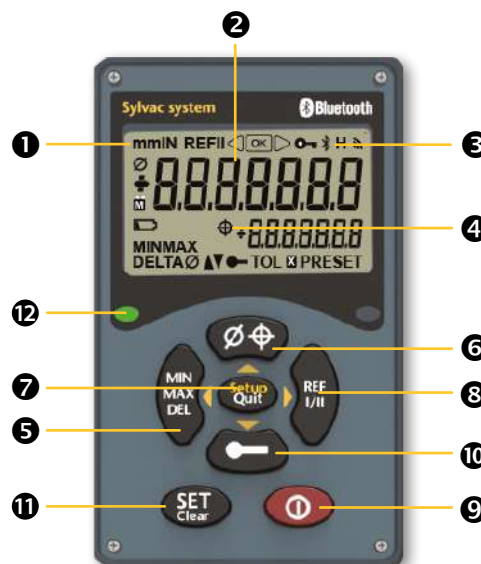
Hi_Cal V2 Smart

DIMENSIONAL DRAWINGS



DISPLAYS

- ❶ Measuring unit and actives reference
- ❷ Display of measuring value
- ❸ Bluetooth® Technology
- ❹ Centerline display
- ❺ Dynamic measuring mode
- ❻ Diameter / surface measurement
- ❼ Access to setting menu
- ❽ Selection of reference Ref I / Ref II
- ❾ ON / Standby / OFF Switch
- ❿ Ball probe constant
- ⓫ Zero / Initialization of min, max mode
- ⓬ Luminous indication of valide measurement



Height gauge

Hi_Cal V2 Smart

TECHNICAL SPECIFICATIONS

		830-0156	830-0306	830-0456
Measuring range	mm	150	300	450
Max. Error	µm	2.0 + L / 200 ¹⁾		
Repeatability	µm	1		
Resolution	mm	0.01 / 0.001 / 0.0005		
Velocity	mm/s	100		
Measuring force	N	0.25 - 0.35		
Autonomy of the battery	h	< 40 ⁴⁾		
Height	mm	381	531	681
Weight	kg	4.0	4.7	6.8
Weight of the standard probe		7.5g, possibility of using 0-15g or 10-25g ²⁾ probes		
Output data		USB / RS232 / Bluetooth ^{® 3)}		
Programmable by PC		●		
Zero setting		●		
Min / max / delta		●		
PRESET function		●		
2 references		●		
Height measurement, Ø and centerlines		●		
1 type of progressive speed		●		

¹⁾ With standard probe, in laboratory conditions

²⁾ With adjustment of the measuring force

³⁾ See cables chapter

⁴⁾ 8h/d at 20% use, 16h/d sby

STANDARD DELIVERY

- Loose cover Hi_Cal 150 (930-6001)
- Loose cover Hi_Cal 300 (930-6002)
- Loose cover Hi_Cal 450 (930-6005)
- Charging set (904-4200¹⁾ / 01/03/04/05)
- Ruby ball probe Ø 3 mm
- Setting gauge
- Calibration certificate
- Quickstart

¹⁾ according to country



Height gauge

Hi_Cal V2 Smart

APPLICATIONS



Depth measurement with accessories 930-2108 and 930-2105



Depth measurement with accessories 930-2108 and 905-2204



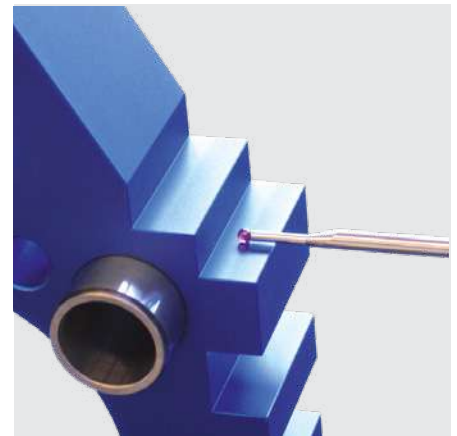
Internal measurement with ruby ball probe Ø 3 mm, 930-2101 (standard)



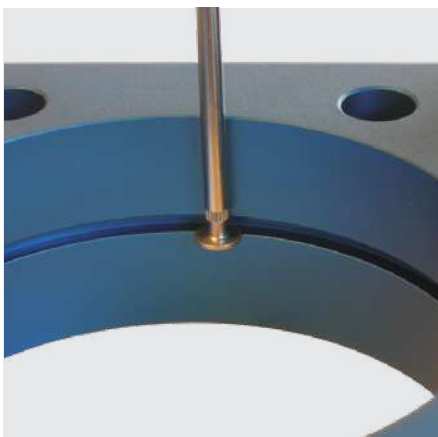
Internal groove measurement with accessories 930-2108, 930-2110 and 905-2207



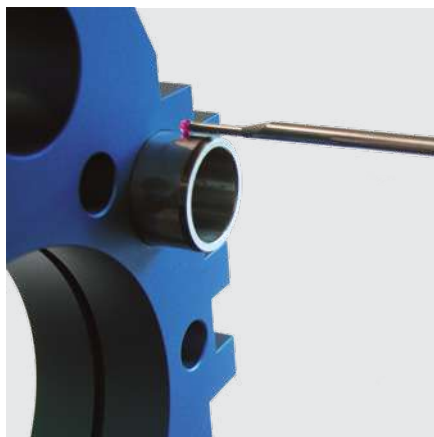
Taking the probe constant value with the setting bloc 930-2002 (standard)



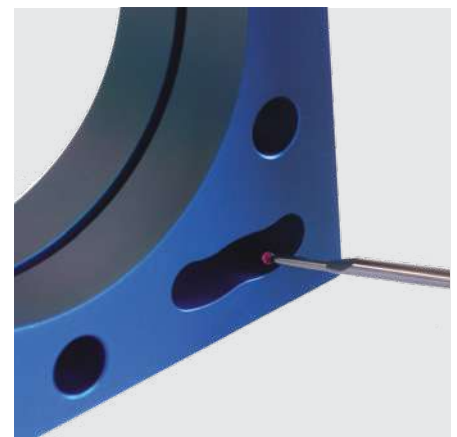
Heights and thicknesses measurements with the standard probe 930-2101



Internal groove measurement with accessories 930-2108, 930-2110 and 905-2205



External diameter measurement with the standard probe 930-2101



Min/Max/Delta measurements

G