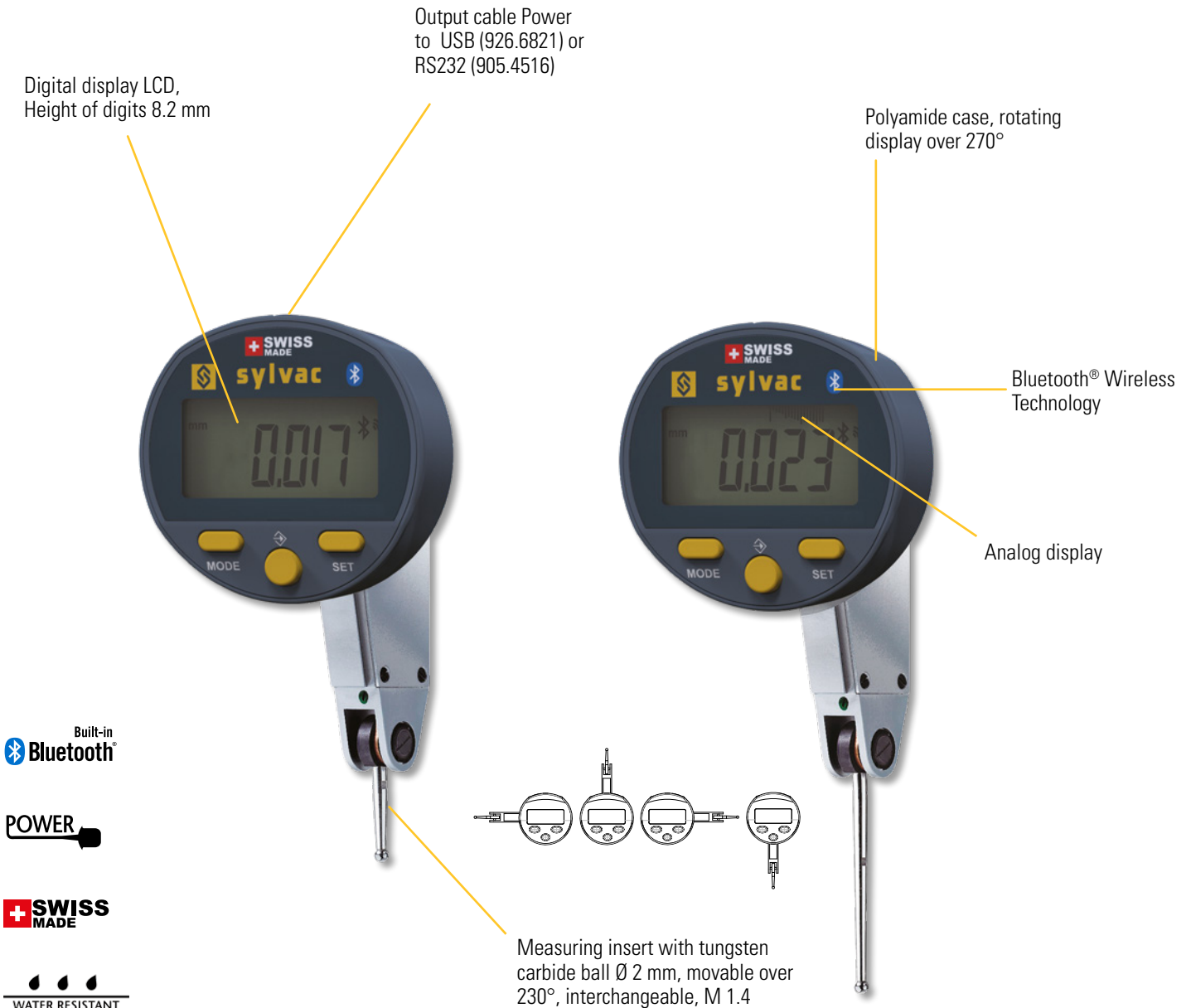


Digital test indicators

S_DialTEST Smart

DESCRIPTION

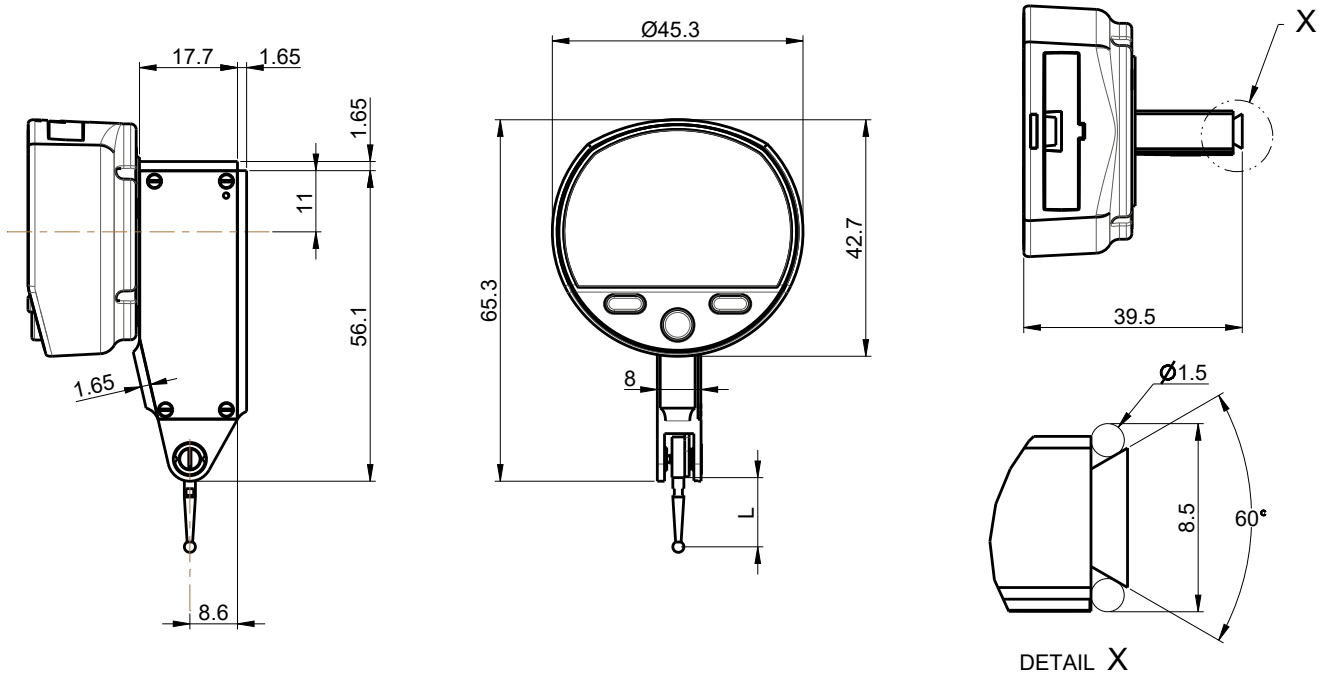
- Digital and analog display
- Water and coolant resistant IP67 electronic
- Data output RS 232 or USB combined with external power supply and Bluetooth®
- Automatic switch OFF
- Delivered with stem \varnothing 8 mm and key for dovetail
- Rotating display over 270°



Digital test indicators

S_DialTEST Smart

DIMENSIONAL DRAWING



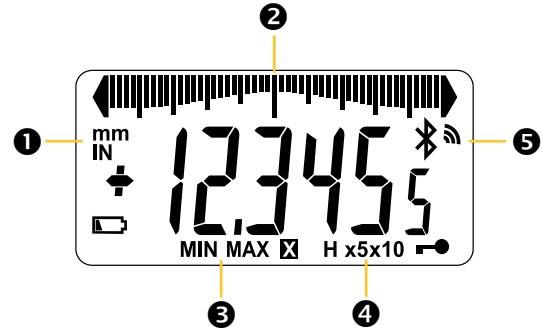
TECHNICAL SPECIFICATIONS

		805.4321	805.4322	805.4323
Measurement capacity	mm	0.8	2.0	0.8 / 2.0
Contact point length L	mm	12.5	36.5	12.5 / 36.5
Accuracy f_e ($\alpha=0^\circ$)	μm	3	8	3 / 8
Total accuracy f_{ges} ($\alpha=0^\circ$)	μm	4	10	4 / 10
Reversibility f_u	μm	2	3	2 / 3
Resolution	mm	0.001mm / .00005"		
Repeatability f_w	μm	1		
Measuring force (+ 20%)	N	0.15	0.06	0.15 / 0.06
Friction on probe orientation ($\pm 20\%$)		4	1.6	4 / 1.6
Weight	g	70		
Protection rating according to IEC 60529		IP67		
Output data		Bluetooth® wireless technology* / RS232 / USB ¹⁾		
Zero setting		●		
min / max / delta display		●		
Analog display		●		
Selection of resolution		●		
Preset (0.01 resolution)		$\pm 99.999 \text{ mm} / \pm 3.99995 \text{ IN} (\pm 999.99 \text{ mm} / \pm 39.9995 \text{ IN})$		

¹⁾ see cables chapter

DISPLAY

- ❶ Direct mm/inch conversion
- ❷ Analog display
- ❸ Min/max/delta mode
- ❹ Analogic resolution display
- ❺ Bluetooth® technology



STANDARD DELIVERY

- Instrument according to technical specifications
- Lithium battery CR2032 included
- Quickstart
- Stem Ø 8 mm
- Key for dovetail
- 2 contact points Ø2mm, 12.5 and 36.5mm (model 805.4332 only)

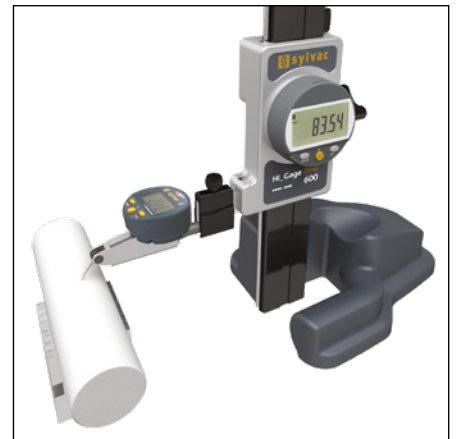
APPLICATIONS



Run-out measurement



Checking the alignment on milling machine.



Perpendicularity measurement with a S234 mounted on a Hi_Gage ONE