

Digital indicators

S_Dial WORK

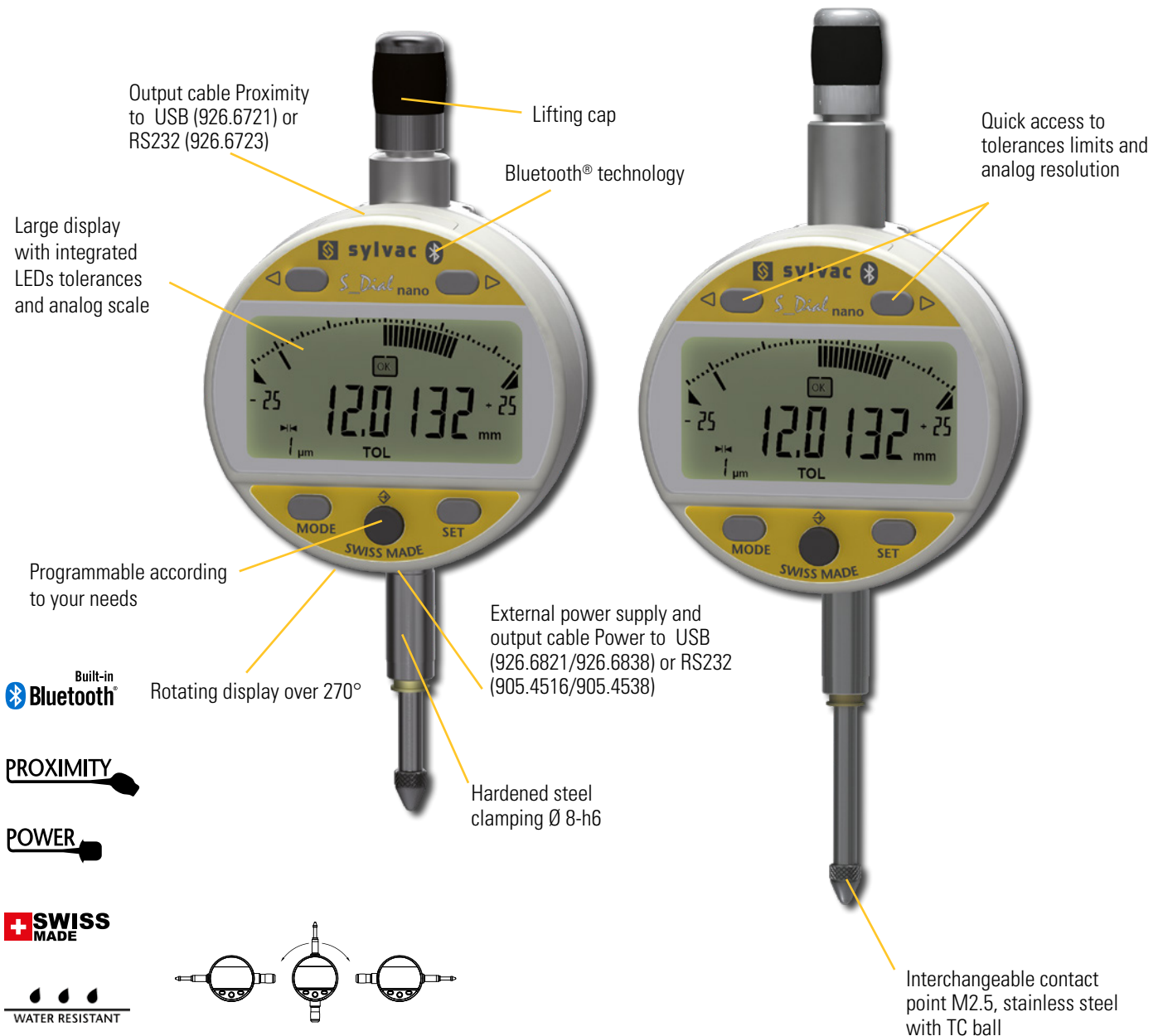
DESCRIPTION

ANALOG NANO SMART

- **Integrated Bluetooth® Wireless technology**
- Adaptive analog display (up to 0.1 µm per segment)
- **0,1 µm resolution**
- Robust construction
- Water and coolant resistant
- New technology with configurable menus
- **Broad choice of functions (MIN/MAX/DELTA, TOL, Factor, PRESET, AUTO OFF, etc.)**
- Automatic wake-up and sleeping mode, **Absolute System S.I.S***
- **Maximum error of 1.8 µm**



B



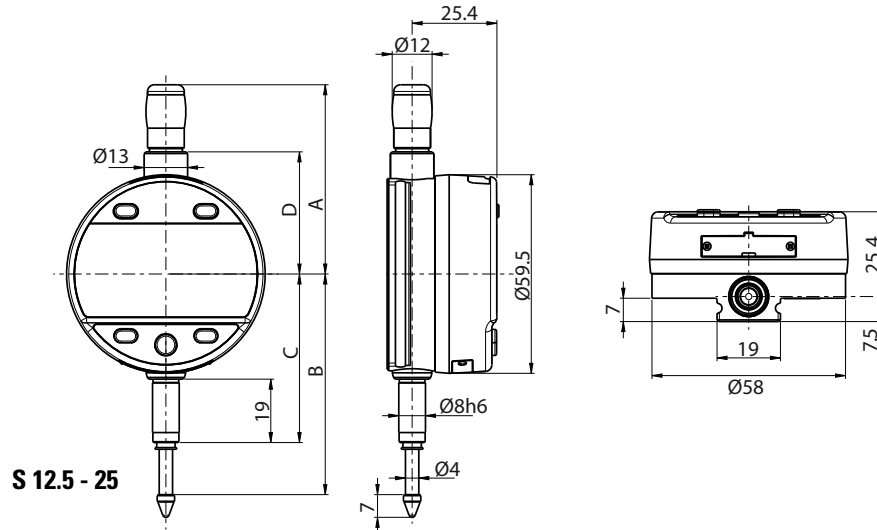
* SIS description on page 5

Digital indicators

S_Dial WORK

DIMENSIONAL DRAWINGS

ANALOG NANO SMART



TECHNICAL SPECIFICATIONS

		805.6307	805.6507
Measuring range	mm	12.5	25
Resolution	mm	0.0001	
Max. Error fe	µm	1.8	2.2
Repeatability	µm	0.5	
IP rating		IP54	
A	mm	56.7	69.4
B	mm	66.1	78.5
C	mm	50.5	50.5
D	mm	36.6	49.4
Output data		USB / RS232 / Bluetooth® wireless technology*	
Programmable by PC		●	
Standard functions (customized by PC)		mm/inch, preset (max 99.9999 or 999.999) min/max/delta, tolerances, resolution, direction of measurement, multiplication factor, automatic or manual switch off, key lock	

*** Up to 8 instruments connected per dongle #981.7100**
More informations on How to use Bluetooth® leaflet SYL_1401_EN_BT

BASIC INSTRUMENT

MEASURING FORCE

- Instrument according to technical specifications
- Lithium battery CR2032 included
- Instruction manual
- Calibration certificate

		S 12.5	S 25
Standard	N	0.65 - 0.90	0.65 - 1.15
Low ²⁾	N	0.4 - 0.55	0.45 - 0.9
High ²⁾	N	1.0 - 1.6	0.9 - 1.8

Tolerance ± 20%, spindle in outgoing measurement position.
²⁾ on request

B