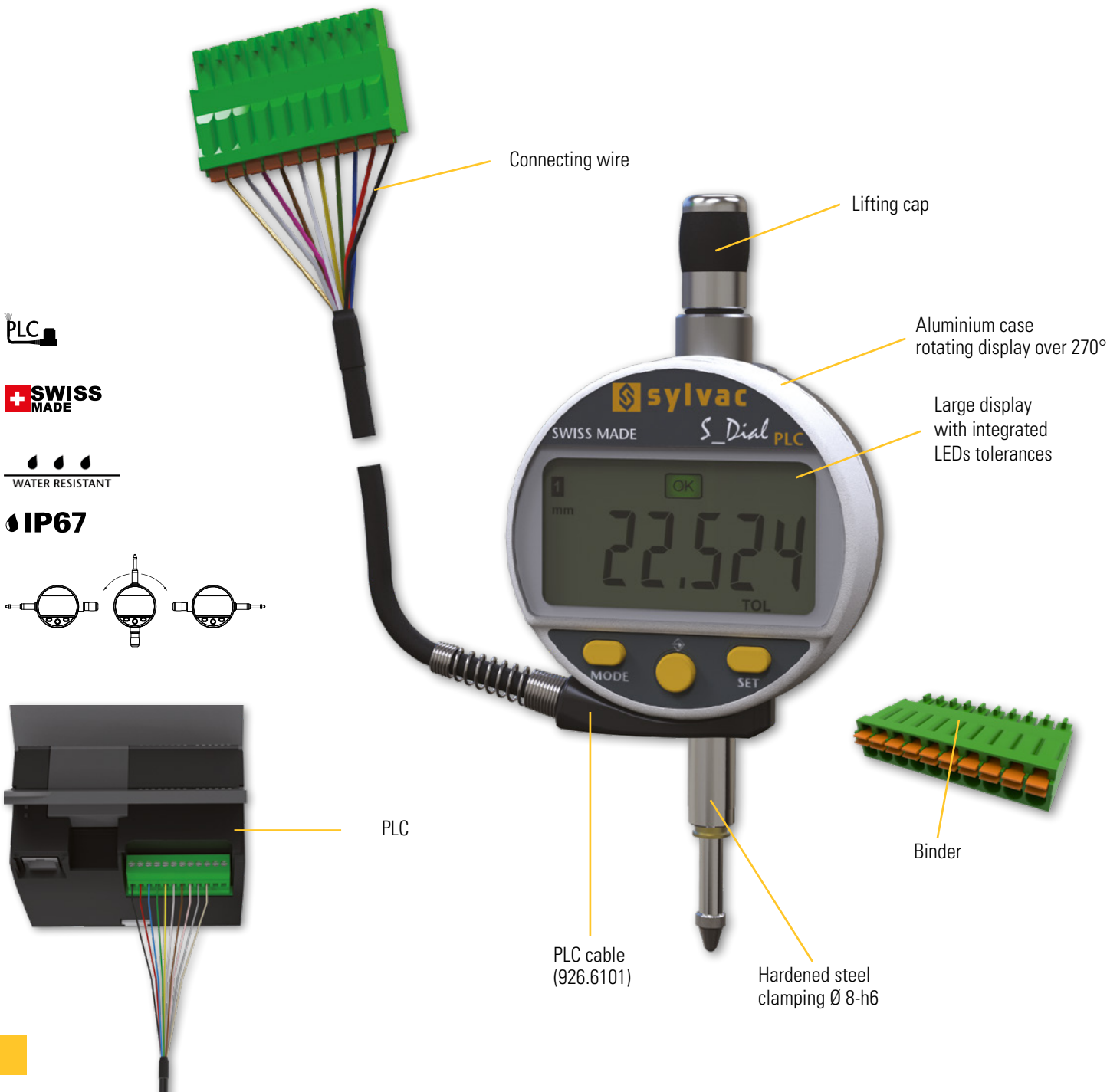


**Indicator with PLC connector**

- Resolution up to 0.001mm
- Robust construction
- Water and coolant resistant
- New technology with configurable menus
- **Broad choice of functions (MIN/MAX/DELTA, TOL, Factor, PRESET, etc.)**
- Maximum error up to 4 µm
- Compatible with the following protocols : MODBUS / ASCII / ORBIT



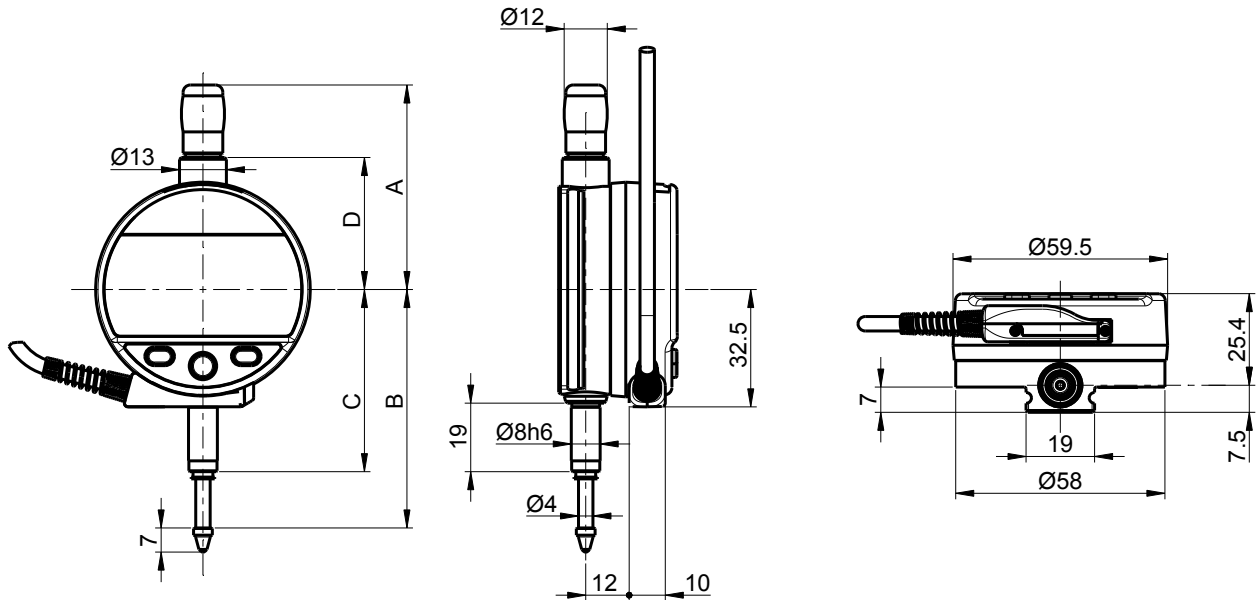
B

# Digital indicators

# S\_Dial WORK

## DIMENSIONAL DRAWINGS

PLC



## TECHNICALS SPECIFICATIONS

		805.7301	805.7201	805.7501	805.7401
Measuring range	mm	12.5	12.5	25	25
A	mm	56.7		69.4	
B	mm	66.1		78.5	
C	mm	50.5		50.5	
D	mm	36.6		49.4	
Resolution	mm	0.001	0.01	0.001	0.01
Max. Error fe	µm	4	10	5	10
Repeatability	µm	2			
Output data		PLC cable / RS232 (Proximity) and RS485 (cable) compatible			
Data bus		RS485 compatible / Charge 1/256 (Protocole MODBUS, ASCII or ORBIT)			
Measuring force	N	0.65 - 0.9		0.65 - 1.15	
IP rating		IP67	IP54	IP67	IP54
Clamping		Ø8h6, interchangeable anvil probe M2.5			
Standard functions (customizable by PC)		mm/inch, ref I/II, preset (max 999.999) min/max/delta, tolerances, resolution, measuring direction, multiplier, keylock			

## INSTRUMENT DE BASE

- Instrument according to technical specifications
- PLC cable + binder included
- Manual
- Calibration certificate

B