

Professional micrometer

S_Mike EVO

DESCRIPTION

CYLINDRICAL Ø6.5

- New rotating spindle micrometer with integrated Bluetooth® system
- Spindle feed rate 1 mm per revolution
- Tungsten carbide measuring anvils Ø 6.5 mm
- Large XXL display with 0.001 mm resolution
- Measuring force 10N
- Measuring range up to 100mm
- Protection class IP67

D

Measuring surface in hard metal

Rotating spindle Ø 6.5 mm

Fast handle movement



Output Bluetooth® Wireless technology

Simple and friendly functions

* instrument soon available

DIN 863

Built-in
Bluetooth

SIS Smart Inductive System

WATER RESISTANT

IP67

Mounting unit (on request)



* SIS description on page 5

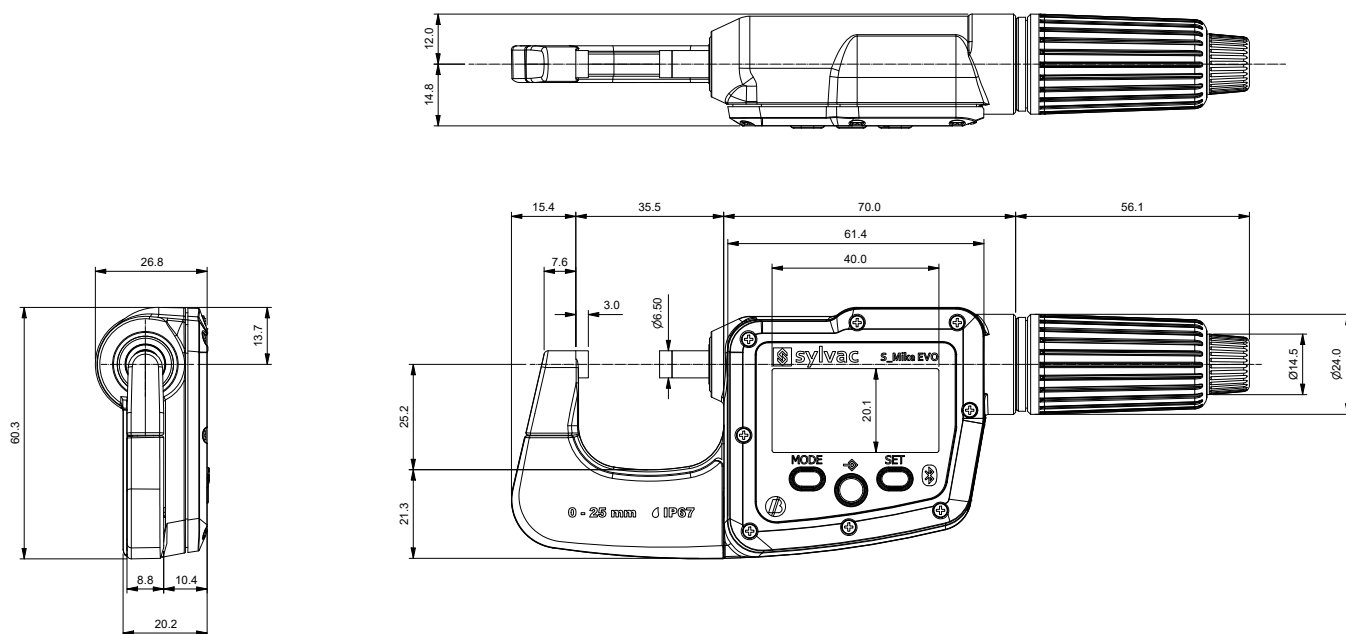


Professional micrometer

S_Mike EVO

DIMENSIONAL DRAWING

CYLINDRICAL Ø6.5



TECHNICAL SPECIFICATIONS

		803-6025	803-6050	803-6075	803-6100
Measuring range	mm	0-25	25-50	50-75	75-100
Max. Error G ¹⁾	µm	2	4	5	7
Repeatability ²⁾	µm	1	1	1	2
Anvils types		Ø6.5			
L	mm	35.5	61	86	112
B	mm	7.5	11	12	13
C	mm	25	37	50	63
D	mm	3	3	3	3
Output data		Bluetooth® wireless technology*			
Prot. rating accor. to IEC 60529		IP67 even connected			
Setting by PC		●			
Measuring force		10N			
Rotating spindle		●			
Advance		1mm/rotation			
Preset function		●			
Smart Inductive Sensor		●			

¹⁾ according to DIN 863

²⁾ ± 1 digit

³⁾ see cables chapter

* Up to 8 instruments connected per dongle #981-7100