

INTRODUCTION

WYLERCONNECT

EINFÜHRUNG



The wylerCONNECT is the interface for all our actual measuring instruments and sensors

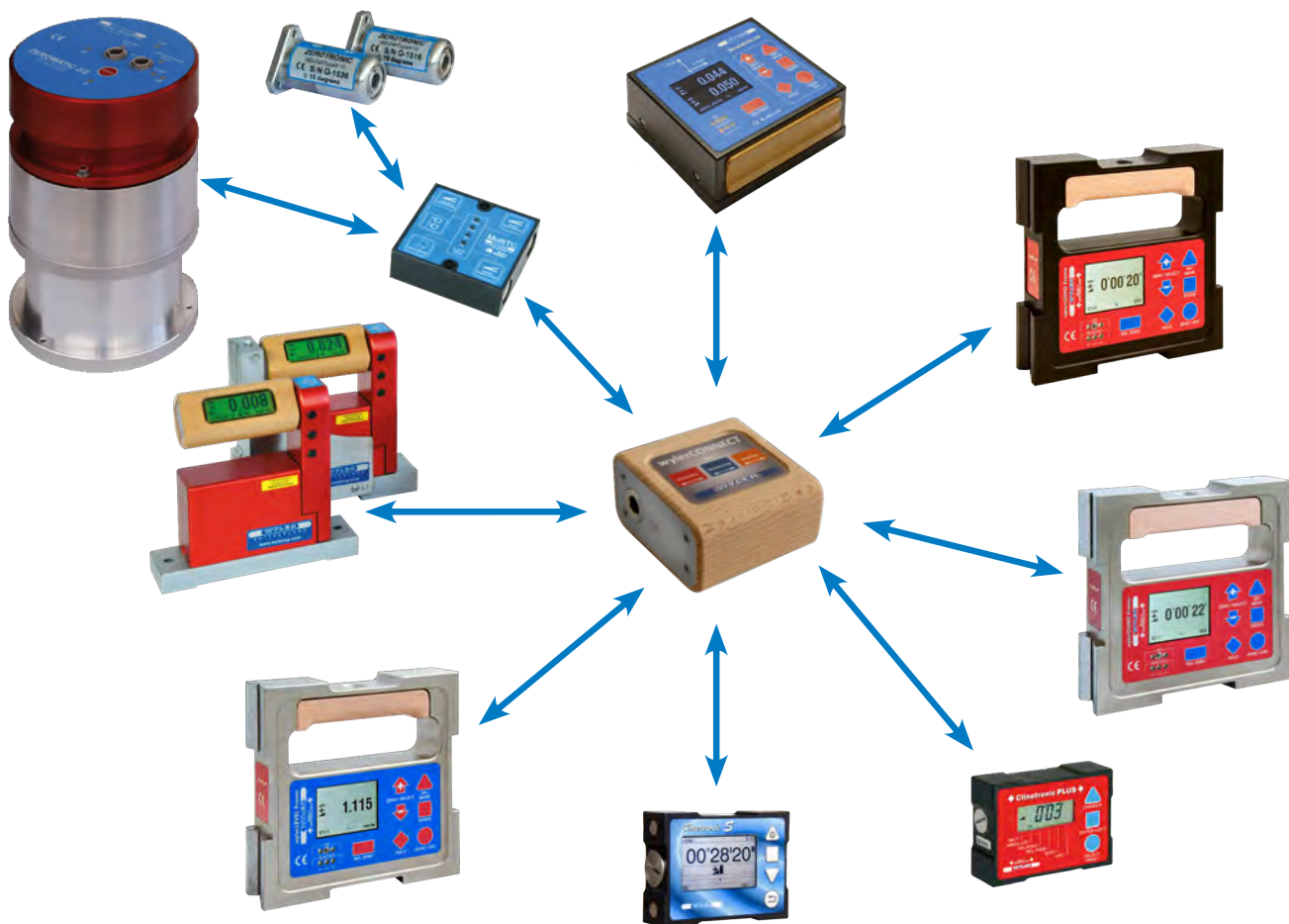
It serves

- for our measuring instruments
 - Bluetooth
 - Bluetooth low energy (BLE)
- for our sensors via MultiTC
 - RS 485 Interface
- for older instruments as CLINO 2000 / LEVELMETER 2000
 - RS 232 Interface
- for the wylerTRIGGER
 - IR-Receiver
- for our software packages
 - License management

Das wylerCONNECT ist die Schnittstelle für alle unsere aktuellen Messgeräte und Sensoren.

Es bietet

- für unsere Messgeräte
 - Bluetooth
 - Bluetooth low energy (BLE)
- für unsere Sensoren über den MultiTC
 - RS 485 Interface
- für Altgeräte wie CLINO 2000 / LEVELMETER 2000
 - RS 232 Interface
- für den wylerTRIGGER
 - IR-Receiver
- für unsere Softwarepakete
 - Lizenz-Management



wylerEXPLORER



wylerLICENSE

SPECIFICATIONS

WYLERCONNECT

Spezifikationen



| TECHNICAL SPECIFICATIONS | WYLERCONNECT | TECHNISCHE DATEN |
|--------------------------|---|-------------------------|
| External power | USB-C 5V (max. 500 mA) | Exteren Stromversorgung |
| Connectivity | USB-C 3.0 RS 485 | Anschlussmöglichkeiten |
| Wireless modules | Bluetooth Bluetooth low energy (BLE) | Funkmodule |
| Length | 80 mm | Länge |
| Width | 70 mm | Breite |
| Height | 50 mm | Höhe |
| Weight | 170 g | Gewicht |
| Operation temperature | 0 ... 40 °C | Betriebstemperatur |
| Storage temperature | -20 ... 60 °C | Lagertemperatur |
| Protection class | IP 64 | Schutzklasse |

| Scope of delivery | P/N Produktnummer | Lieferumfang |
|--|---|--|
| <ul style="list-style-type: none"> wylerCONNECT |  029-0001-003 | <ul style="list-style-type: none"> wylerCONNECT |
| <ul style="list-style-type: none"> wylerTRIGGER |  015-005-007 | <ul style="list-style-type: none"> wylerTRIGGER |
| <ul style="list-style-type: none"> USB-C cable 1.4 m |  015-014-001 | <ul style="list-style-type: none"> USB-C Kabel 1.4 m |
| Set with ... <ul style="list-style-type: none"> wylerCONNECT, wylerTRIGGER, USB-C cable 1.4 m Universal cable 0.5 m Quick reference |  029-0001-001 | Set mit ... <ul style="list-style-type: none"> wylerCONNECT, wylerTRIGGER, USB-C Kabel 1.4 m Universalkabel 0.5 m Kurzanleitung |
| Set in storage case with ... <ul style="list-style-type: none"> wylerCONNECT, wylerTRIGGER, USB-C cable 1.4 m Universal cable 0.5 m Quick reference |  029-0001-002 | Set im Aufbewahrungskoffer mit... <ul style="list-style-type: none"> wylerCONNECT, wylerTRIGGER, USB-C Kabel 1.4 m Universalkabel 0.5 m Kurzanleitung |

ACCESSORIES

WYLERCONNECT

ZUBEHÖR



| Universal cable RS485 to connect measuring instruments to connect BlueMETER SIGMA to connect MultiTC | Details | P/N Produktnummer | Universalkabel RS485 Verbindung von Messinstrumenten Verbindung von BlueMETER SIGMA Verbindung von MultiTC |
|---|---------|----------------------|---|
| | | | |
| Male / male | 2.5 m | 029-025-878-001 | Stecker / Stecker |
| Male / male | 5 m | 029-050-878-001 | Stecker / Stecker |
| Male / male | 10 m | 029-100-878-001 | Stecker / Stecker |

| Universal Y-extension RS485 | Details | P/N Produktnummer | Universal Y-Verlängerung RS485 |
|-----------------------------|---------|----------------------|--------------------------------|
| | | | |
| male / 2 female | 0.4 m | 029-004-878-Y | Stecker / 2 Buchsen |

| Cable RS232 to connect LEVELMETER 2000 to connect CLINO 2000 | Details | P/N Produktnummer | Kabel RS232 Verbindung von LEVELMETER 2000 Verbindung von CLINO 2000 |
|--|---------|----------------------|--|
| | | | |
| Male / male | 2.5 m | 029-025-858-001 | Stecker / Stecker |

CONFIGURATIONS

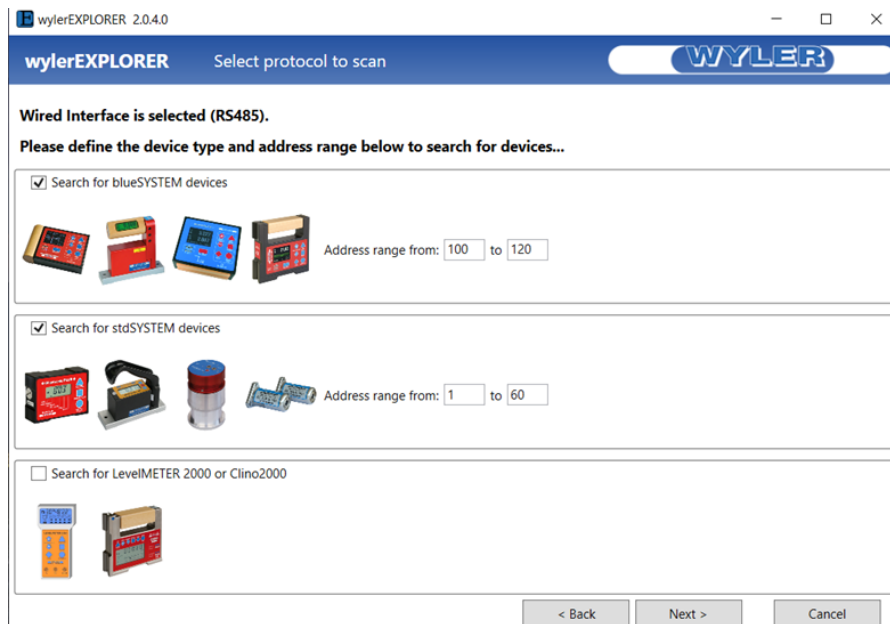
WYLERCONNECT

KONFIGURATIONEN

ATTENTION !!!

The wylerCONNECT can handle only one protocol at the time.

That means, via cable you can connect only measuring instruments and sensors belonging to the same group to the wylerCONNECT.



ACHTUNG !!!

Der wylerCONNECT kann immer nur ein Protokoll bedienen.

Das heisst, per Kabel können gleichzeitig immer nur Messgeräte und Sensoren der gleichen Gruppe an den wylerCONNECT angeschlossen werden.

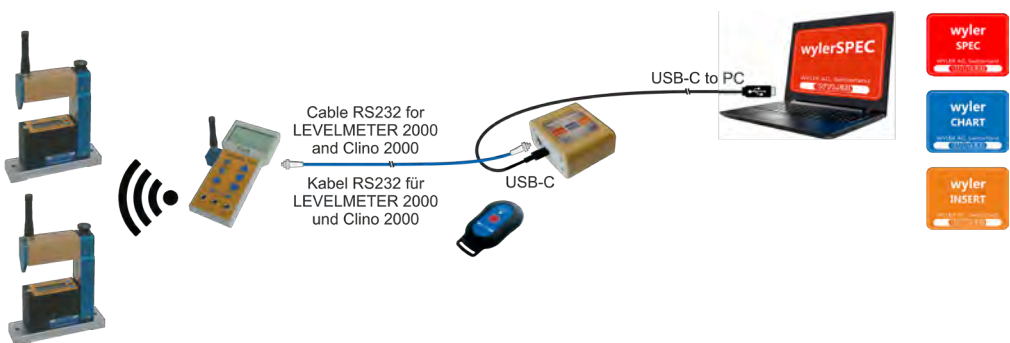
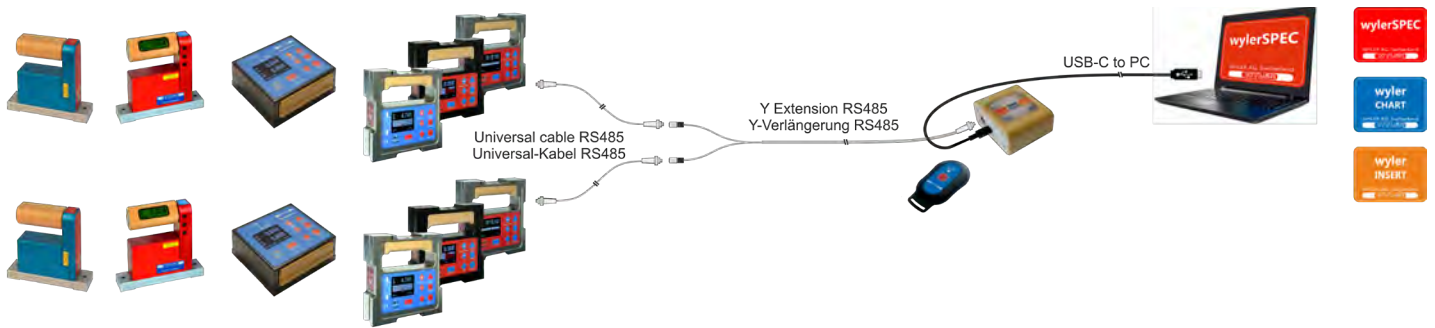
CONFIGURATIONS

WYLERCONNECT

KONFIGURATIONEN



max. 2 BlueLEVEL
 max. 2 BlueLEVEL-2D
 max. 2 wylerLEVEL
 max. 2 Minilevel NT



CONFIGURATIONS

WYLERCONNECT

KONFIGURATIONEN



Bluetooth (BT)

ATTENTION !!!

The wylerCONNECT is restricted in the simultaneously handling of measuring instruments using BT and BLE standard.



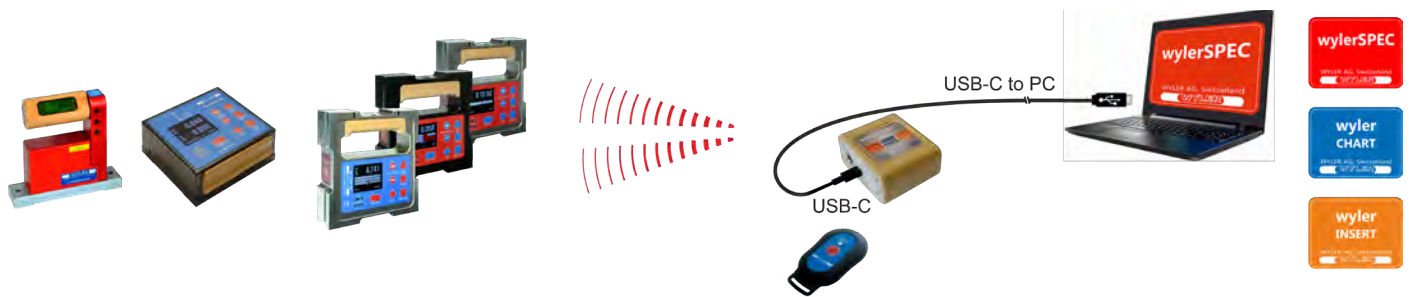
ACHTUNG !!!

Der wylerCONNECT kann nur beschränkt Messgeräte mit BT und BLE gleichzeitig verbinden.

Bluetooth Low Energy (BLE)



max. 7 BlueLEVEL
max. 7 BlueLEVEL-2D
max. 7 wylerLEVEL



max. 7 Clinotronic S

